

INSTALLATION INSTRUCTIONS

OVERVIEW

The Cable Matters Porcelain Light Socket Base with AC Outlet provides a new or replacement power and lighting fixture. Sturdy porcelain construction ensures a safe and long-lasting AC outlet and light fixture. Simple installation with the attached pigtail wires.

! CAUTION

- Installation by a qualified electrician is recommended
- Location requires a properly installed ground wire
- Screw terminals support up to 10 AWG wire
- Use only copper or copper-clad wire (no bare aluminum)
- Rated for indoor use in a dry location

WIRING INSTRUCTIONS - READ BEFORE INSTALLING

Suggested Tools: Voltage tester, screwdriver, wire stripper, needle nose pliers, small hammer (for 3 1/4" outlet box knockouts), wire nuts (for pigtail wires)



Electric Shock Risk

- 1) Turn off the power at the electrical panel before installing.
- 2) Use a voltage tester to verify that the power is off and that no live circuits are connected!
- 3) Carefully remove any existing outlet and disconnect the wires.

Note: Tap gently with a screwdriver and small hammer to remove the knockout for a 3 1/4" box.

- 4) Partially screw in the mounting screws into the outlet box.
- 5) Strip back about 3/4 inch (direct wire) or 1/2 inch (pigtail wire) of the feed wire insulation, if needed.
- 6) **Direct Wire:** Coil tightly twisted strands into a hook and loop around the screws (remove pigtail wires).
Pigtail Wire: Twist the black and white feed wires to the pigtails and secure with wiring nuts.
- 7) Connect a green/bare ground wire to the green screw. Check that the green wire is connected to a ground.
- 8) Check that no bare strands are exposed and that the insulation is clear of the screw terminals. Test by tugging on the wires. (Pro Tip: Wrap the terminals with electrical tape).
- 9) Carefully replace the wires into the electrical box, and tighten the mounting screws.

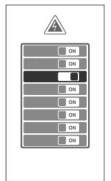
Notes: Do not overtighten the terminal or mounting screws!
Take care not to chip the glazed porcelain when installing.

- 9) Install a light bulb, restore power at the electrical panel, and turn on the light with the pull chain.

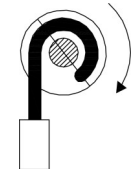
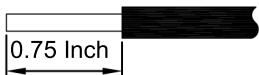
Note: The pull chain does NOT turn off the AC outlet. The outlet is always live.



2 x Screws



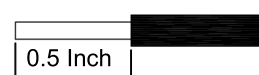
DIRECT WIRE



Green
Green Screw

White Wire/Neutral
Silver Screw

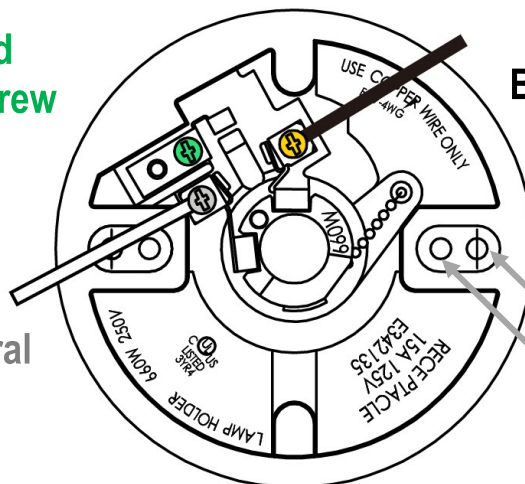
PIGTAIL WIRE



Black Wire/Hot
Brass Screw



#12-14 AWG
wire nuts
(not included)

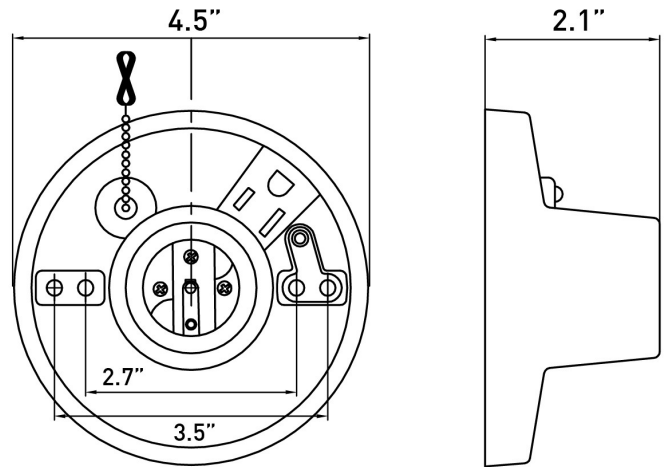


4" Box
3 1/4" Box

PORCELAIN LIGHT SOCKET BASE WITH AC OUTLET & PULL CHAIN

TECHNICAL SPECIFICATIONS

- Electrical Rating: 125/250V 600W max
- Light Socket Base: Medium with pull chain
- Residential Grade/Indoor Use
- Wiring Access: Top wired
- Wire Compatibility: Up to #10 AWG copper or copper-clad
- Mount Compatibility: 3 ¼ or 4 inch outlet box
- Pull-Chain Size: #6 / 3.2mm / 1/8" extension cord compatible
- Compliance: UL/cUL Listed
- Dimensions: (WxD) 4.5 x 2.1 Inches
- Warranty: Limited Lifetime



IMPORTANT NOTES:

- Rated for indoor use in a dry location
- Chain is designed to be pulled down not to the side
- Copper or copper-clad wire only (no aluminum)
- Specifications are subject to change without notice

Package Contents

- 2x Porcelain Light Socket Base with AC Outlet
- 4x 14AWG Wiring Pigtails
- 4x Mounting Screws
- 1x Instruction Sheet

Copyright and Trademarks

Cable Matters is a registered trademark or trademark of Cable Matters Inc. All rights reserved. All other trademarks are the property of their respective owners.

Limitation of Liability

In no event shall Cable Matters Inc. (including their officers, directors, employees or agents) be liable for any damages (whether direct or indirect, special, punitive, incidental, consequential, or otherwise), loss of profits, loss of data, loss of business, or any pecuniary loss, arising out of, or related to the use of this product exceeding the actual price paid for the product (as allowed by state law).

Warranty Information

This product is backed by a limited lifetime warranty. The warranty covers parts and labor costs only. Cable Matters does not warrant its products from defects or damages arising from misuse, abuse, or normal wear.

Customer Support and Contact Information

Cable Matters offers lifetime technical support as an integral part of our commitment to provide industry leading solutions.

Contact us at wholesale@cablematters.com for large volume discount pricing.

Contact support@cablematters.com with any questions

www.cablematters.com